

**FFKDS/H-2,54**

Order No.: 1791826

<http://eshop.phoenixcontact.de/phoenix/treeViewClick.do?UID=1791826>

Printed circuit terminal block, nominal current: 6 A, rated voltage: 63 V, pitch: 2.54 mm, no. of positions: 1, mounting: Soldering, type of connection: Spring-cage connection, connection direction from the conductor to the PCB: 0°

**Commercial data**

EAN	4017918044459
Pack	100 Pcs.
Customs tariff	85369010
Weight/Piece	0.000565 KG
Catalog page information	Page 93 (CC-2007)

**Product notes**WEEE/RoHS-compliant since:  
01/01/2003

<http://www.download.phoenixcontact.com>  
Please note that the data given here has been taken from the online catalog. For comprehensive information and data, please refer to the user documentation. The General Terms and Conditions of Use apply to Internet downloads.

**Technical data****Dimensions / positions**

Pitch	2.54 mm
Number of positions	1
Pin dimensions	0,5 x 0,8 mm
Hole diameter	1.1 mm

**Technical data**

Insulating material group	I
Rated surge voltage (III/3)	2.5 kV
Rated surge voltage (III/2)	2.5 kV
Rated surge voltage (II/2)	2.5 kV
Rated voltage (III/2)	160 V
Rated voltage (II/2)	320 V
Connection in acc. with standard	EN-VDE
Nominal current $I_N$	6 A
Nominal voltage $U_N$	63 V
Nominal cross section	0.5 mm <sup>2</sup>
Maximum load current	6 A (with 0.5 mm <sup>2</sup> conductor cross section)
Insulating material	PA
Inflammability class acc. to UL 94	V0
Stripping length	11 mm

**Connection data**

Conductor cross section solid min.	0.14 mm <sup>2</sup>
Conductor cross section solid max.	0.5 mm <sup>2</sup>
Conductor cross section stranded min.	0.14 mm <sup>2</sup>
Conductor cross section stranded max.	0.5 mm <sup>2</sup>
Conductor cross section AWG/kcmil min.	26
Conductor cross section AWG/kcmil max	20

**Certificates / Approvals****CSA**

Nominal voltage $U_N$	150 V
Nominal current $I_N$	6 A
AWG/kcmil	20

**CUL**

Nominal voltage $U_N$	150 V
-----------------------	-------

Nominal current $I_N$	6 A
AWG/kcmil	26-20
<b>UL</b>	
Nominal voltage $U_N$	150 V
Nominal current $I_N$	6 A
AWG/kcmil	26-20
Certification	CCA, CSA, CUL, GOST, KEMA, UL

**Accessories**

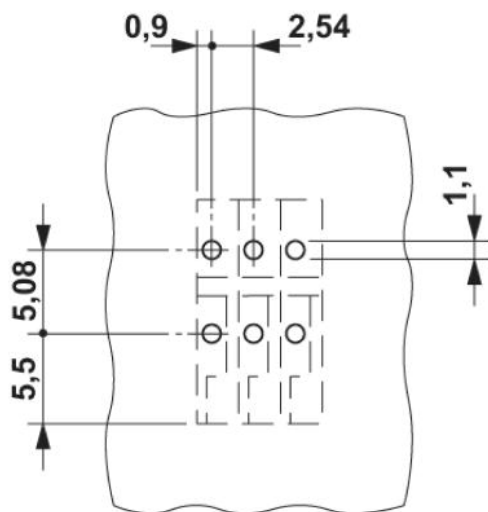
Item	Designation	Description
<b>Marking</b>		
0804853	SK 2,54/2,8:FORTL.ZAHLEN	Marker card, printed horizontally, self-adhesive, 10-section marker strip, 14 identical decades marked 1-10, 11-20 etc. up to 91-100, sufficient for 140 terminal blocks

**Additional products**

Item	Designation	Description
<b>General</b>		
1791868	FFKDSA1/H-5,08	End terminal block, 5.08 mm wide, necessary at the end of a row of terminal blocks, for horizontal connection

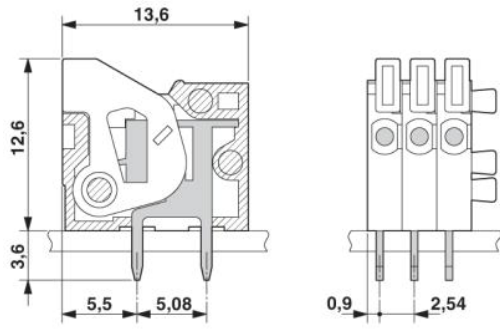
**Drawings**

Drilling diagram



Dimensioned drawing

---



**Address**

PHOENIX CONTACT Inc., USA  
586 Fulling Mill Road  
Middletown, PA 17057, USA  
Phone (800) 888-7388  
Fax (717) 944-1625  
<http://www.phoenixcon.com>



© 2008 Phoenix Contact  
Technical modifications reserved;